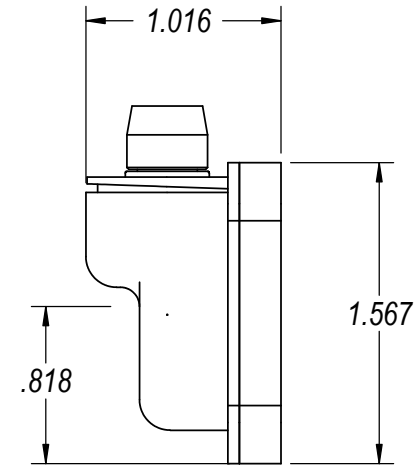
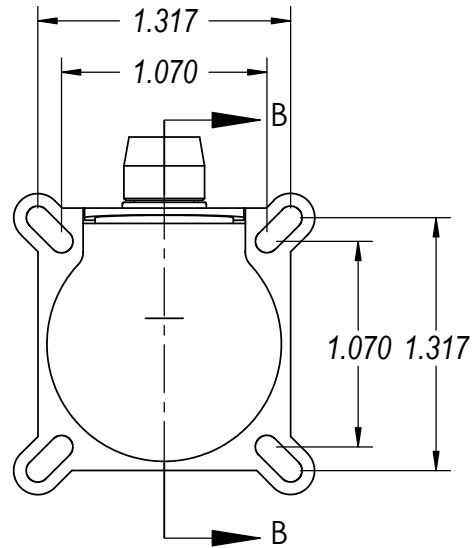


SECTION B-B



UNLESS OTHERWISE SPECIFIED:		NAME	DATE	<i>Sullivan Products</i>		
DIMENSIONS ARE IN INCHES	DRAWN	KP	2-07-07			TITLE:
TOLERANCES:	CHECKED			Standard TigerDrive Installation Dimensions		
FRACTIONAL $\pm 1/64$	ENG APPR.					
ANGULAR: MACH \pm BEND \pm	MFG APPR.					
TWO PLACE DECIMAL $\pm .010$	Q.A.			SIZE	DWG. NO.	REV
THREE PLACE DECIMAL $\pm .005$	PROPRIETARY AND CONFIDENTIAL			A	S680Standard	1
INTERPRET GEOMETRIC TOLERANCING PER:	THE INFORMATION CONTAINED IN THIS DRAWING IS THE SOLE PROPERTY OF THE PERFECT PARTS COMPANY. ANY REPRODUCTION IN PART OR AS A WHOLE WITHOUT THE WRITTEN PERMISSION OF THE PERFECT PARTS COMPANY IS PROHIBITED.			SCALE: 1:1	WEIGHT:	SHEET 1 OF 1
MATERIAL						
FINISH						
DO NOT SCALE DRAWING						